



IMPORT-EXPORT-LOGISTICS

Technical Data
Modular Roundabouts

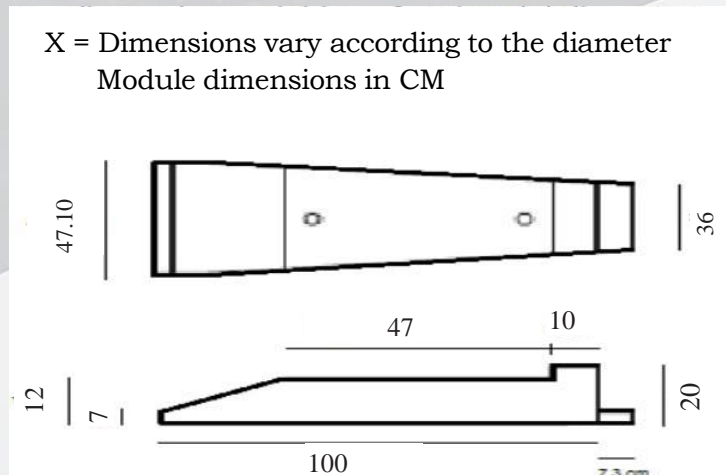
Specially designed by modules in recycled and recyclable plastics, ease of construction of roundabouts, delivering aesthetics and safety to our cities. With a fixing system using screws for anchorage, very high resistant to water and ultraviolet rays. No maintenance required, absorbs impacts, preserving a long useful life and lower after-sales costs.

CHARACTERISTICS

COLORS



MODULE DIMENSIONS



DIMENSIONS

Outside/ Inside Diameters

Ext 5,10 m - Int 3,10 m	Ext 12,00 m - Int 10,00 m
34 Module of 47,1 x 28,63 x 100 cm (68 Required anchor screws)	80 Module of 47,1 x 39,3 x 100 cm (160 Required anchor screws)
Ext 6,60 m - Int 4,60 m	Ext 13,80 m - Int 11,80 m
22 Module of 47,1 x 28,63 x 100 cm and 22 Module of 47,1 x 37,6 x 100 cm (88 Required anchor screws)	46 Module of 47,1 x 37,6 x 100 cm and 46 Module of 47,1 x 43,3 x 100 cm (184 Required anchor screws)
Ext 7,20 m - Int 5,20 m	Ext 15,00 m - Int 13,00 m
24 Module of 47,1 x 28,63 x 100 cm and 24 Module of 47,1 x 39,3 x 100 cm (96 Required anchor screws)	50 Module of 47,1 x 41,9 x 100 cm and 50 Module of 47,1 x 39,3 x 100 cm (200 Required anchor screws)
Ext 7,65 m - Int 5,65 m	Ext 15,90 m - Int 13,90 m
26 Module of 47,1 x 28,63 x 100 cm and 26 Module of 47,1 x 41,2 x 100 cm (104 Required anchor screws)	106 Module of 47,1 x 41,2 x 100 cm (212 Required anchor screws)
Ext 8,30 m - Int 6,34 m	Ext 18,00 m - Int 16,00 m
28 Module of 47,1 x 28,63 x 100 cm and 28 Module of 47,1 x 42,4 x 100 cm (112 Required anchor screws)	120 Module of 47,1 x 41,9 x 100 cm (240 Required anchor screws)
Ext 9,90 m - Int 7,90 m	Ext 20,10 m - Int 18,10 m
66 Module of 47,1 x 37,6 x 100 cm (132 Required anchor screws)	134 Module of 47,1 x 42,4 x 100 cm (268 Required anchor screws)
Screw Dimensions (10 x 140 mm)	



QUALITIES

- Recycled and recyclable material.
- Composed almost entirely of recycled mixed polymers.
- Resistant, non-deformable, manageable, flexible and solid.
- Absorbs impacts. Thermal and electrical insulation.
- Minimal maintenance, no splintering or oxidation.
- Easy handling and quick assembly, far superior to concrete roundabouts.
- Inert to environmental degradation, chemistry and rot
- Ecological and non-polluting, Sterile, hygienic, easy to clean and vandal-proof.
- Almost unlimited durability
- Easily stepped on by cars not being an obstacle for these.

SPECIFICATIONS

Design

Timeless elements or contemporary style that conjugate a perfect global vision for any environment. our cities.

Quality

Products manufactured to the highest EU quality standards to ensure durability and functionality in adverse conditions. Products with long life and totally respectful with the environment.



GBSolutions

We provide solutions to the uncontrolled accumulation of mixed, non-reusable plastic polymers that end up in landfills. Sustainable innovation, innovative sustainability.

Burying this plastic, throwing it away or hiding it does not solve the problem, it makes it worse.

The damage to the environment is very high, this industrial material takes up to 400 years to degrade.

We are committed to Sustainable Innovation, reusing the large amount of industrial, urban or domestic plastic waste that is generated. Our production department has found the answer: through an elaborate process the polymer is converted into plastic pieces (ROUNDABOUT MODULES) with a countless use versatility, embellishment and security of our cities.

GBSolutions is a company devoted to providing solutions to plastic pollution in our rivers, seas and cities, helping to release a heavy burden on the environment, as everything that could end up in landfills and burials serves as the basis of our manufacture.

BEFORE MANUFACTURING

We plan a responsible production.

We improve the existing technology always looking for sustainable innovation.

Transport and handling do not require special rules or efforts.

We respect the natural balance.

DURING MANUFACTURE

We do not generate waste and the work process is clean.

We optimize production so as not to waste material, which is reused again.

AFTER MANUFACTURING

We can advise you on the assembly, handling and location of the roundabout modules.

We have an excellent after-sales service.

The duration of our modules can be unlimited.





Gamboa & Baviera Solutions, S.L.

Moll de Ponent, base 2 – 2 do piso, 46024 Valencia. Spain

(+34) 656 71 69 84 - info@gbsolutions.es - www.gbsolutions.es
